



MSG 20 NARROW

Compact seats with
mechanical suspension



CAPITALseating

www.capitalseating.co.uk

tel: +44 (0)116 216 9910 | email: grammer@capitalseating.co.uk



GRAMMER

TECHNICAL DATA

MSG 20 NARROW

All MSG 20 seats are optimally designed to attenuate the vibrations to which forklift operators are typically subjected, featuring suspension travel of 60 mm. They are also simple to set to any user weight between 50 and 130 kg with an easy-to-use lever on the backrest, resulting in optimal suspension comfort for every operator. In addition, the seat's fore-aft position can be varied by up to 150 mm to provide enough space for every body size and work situation. The narrow version with a cushion width of 410 mm is specially optimized for reach-type forklift trucks.



Mechanical
Suspension



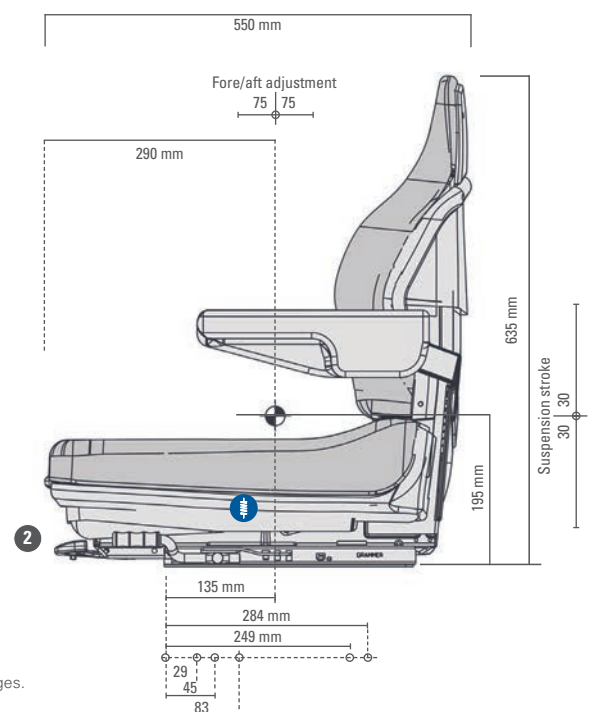
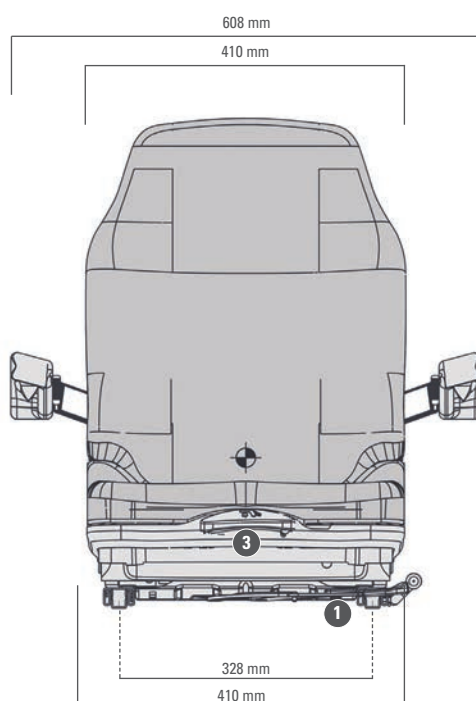
Mechanical
Weight
Adjustment

Features ● Standard ○ Optional

| | MSG 20 SCHMAL | MSG 20 SCHMAL |
|-------------------------------|------------------|------------------|
| Article no. fabric | 1293151 | 1293152 |
| Article no. imitation leather | 135671 | 135673 |
| Suspension | | |
| ● Mechanical suspension | ● | ● |
| Suspension stroke | | |
| 60 mm | ● | ● |
| ① Weight adjustment | | |
| 50 - 130 kg | ● | ● |
| ② Fore/aft adjustment | | |
| 150 mm | ● | ● |

| | MSG 20 SCHMAL | MSG 20 SCHMAL |
|---------------------------------------|------------------|------------------|
| ③ Adjustable backrest angle | ● | ● |
| Seat cushion width | 410 mm | 410 mm |
| Operator presence switch (OPS) | | ● |
| OPTIONAL FEATURES | | |
| Armrests foldable 54 mm x 300 mm | ○ | ○ |
| Document box | ○ | ○ |
| Restraint system | | |
| Static belt | ○ | ○ |
| Retractor belt | ○ | ○ |
| Seat heating | ○ | ○ |

Measurements (installation dimensions)



All dimensions in mm.
Subject to technical changes.